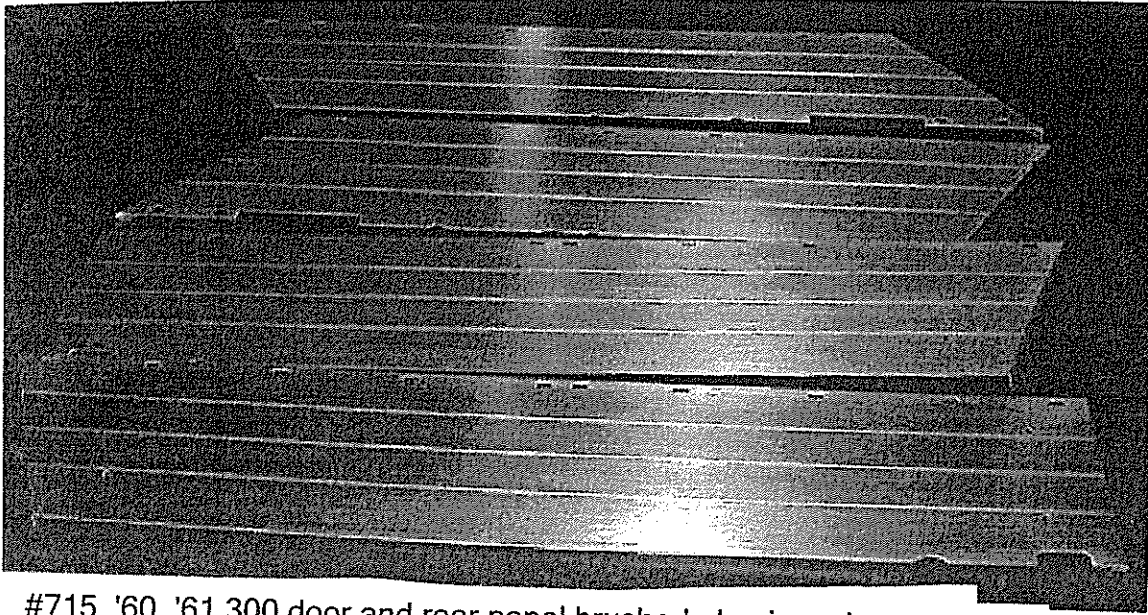
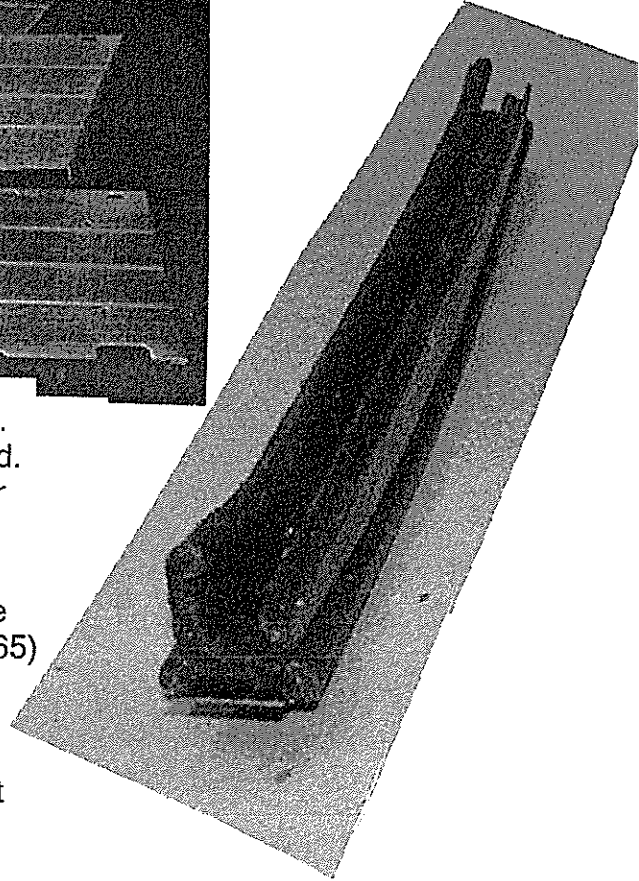


NEW STUFF

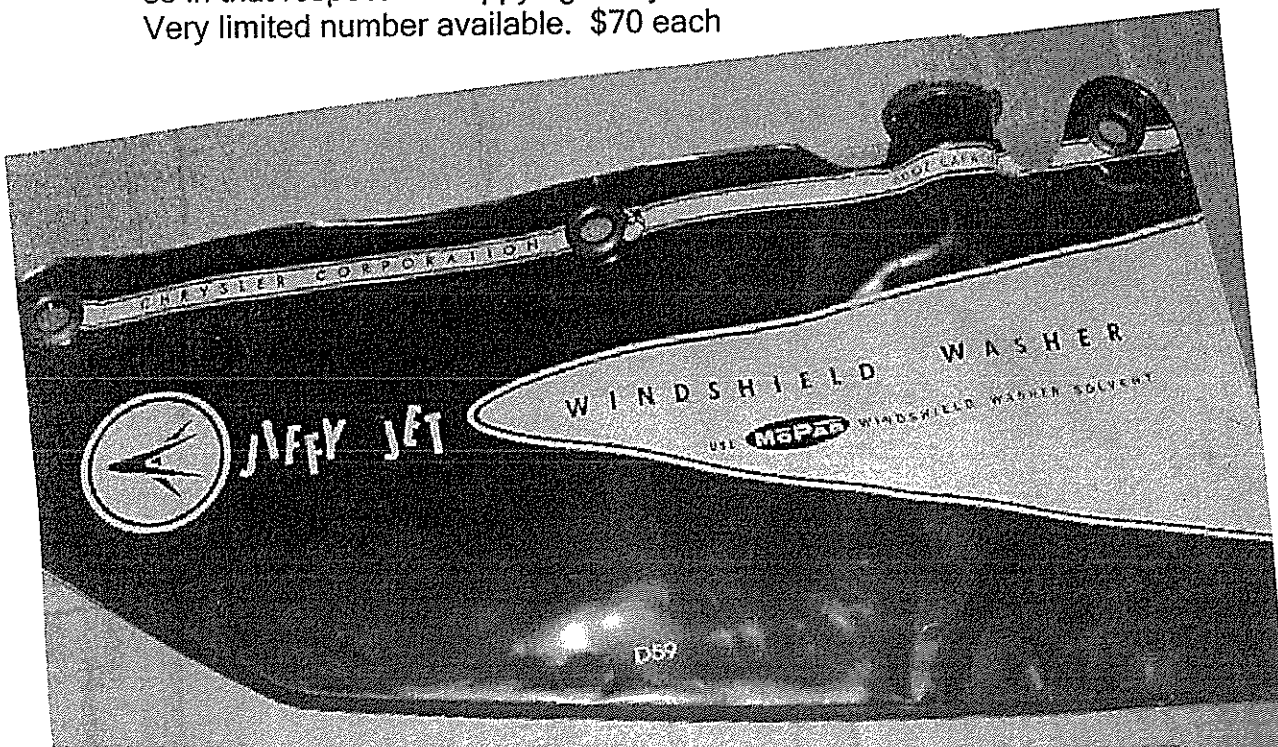


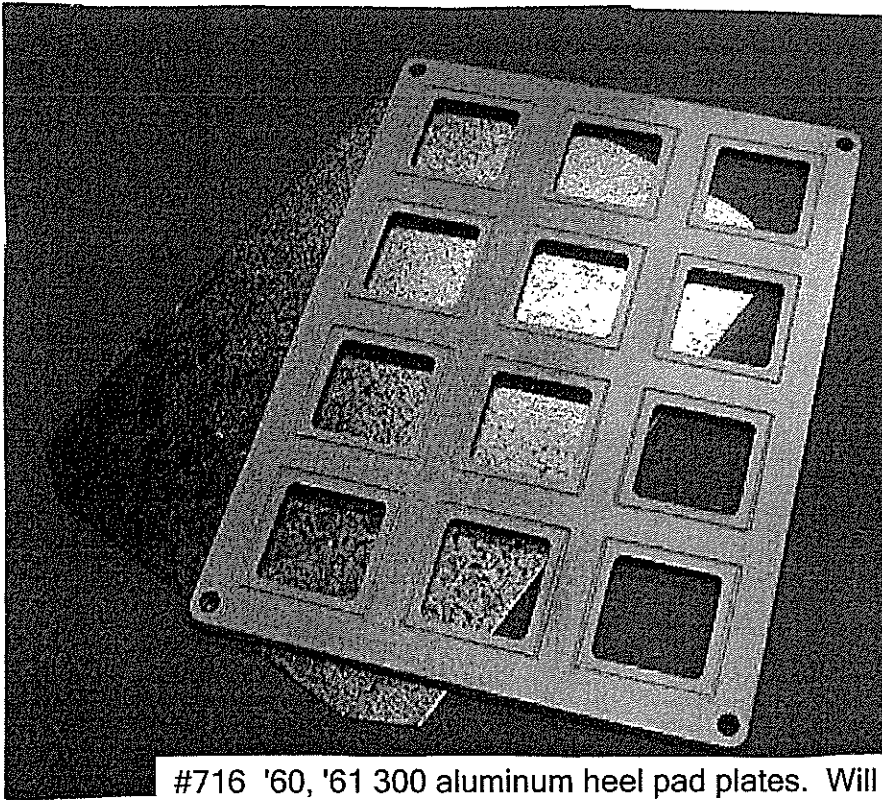
#715 '60, '61 300 door and rear panel brushed aluminum inserts. These are not anodized so minor scratches can be repaired. Rear inserts are made for coupes; merely cut off at the rear for converts. \$400/set of four

#714 Molded "deep" sections for '55, '56 convert. side rail seals. \$46/pair Use with W58 extrusion (\$65)

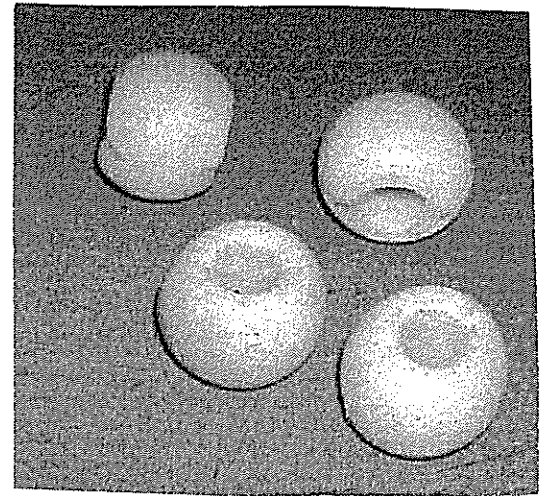


#541F '59 reproduction washer bag. A nice quality job except they are black instead of dark gray. The company left me hanging with projects not completed (but paid for) so in that respect I'm happy I got any of these at all. Very limited number available. \$70 each





#716 '60, '61 300 aluminum heel pad plates. Will also fit '62; just not the right surface design. Machined out of 1/4" aluminum with extra meat on the backside making them stronger than the originals. Bead blast finish with clear anodizing. New galvanized steel backing plates included. \$185/set of two. #539 rubber pads in strips of 4 are available for \$9.50. Get all 6 strips for \$50 with purchase of plates.



#713 Rollers for swivel seats
\$6 each

#717 Rubber extrusion for rounded triangular seal for blower motor housing in '59-'64 firewall pads. \$10 each

#718 Plug wire bracket set for '60,'61 ram engines. Bare steel, not rubber dipped. \$85/set

